

5.0

APPENDIX B

ANDERSON MILL WEST PARK EXHIBIT



Page intentionally left blank

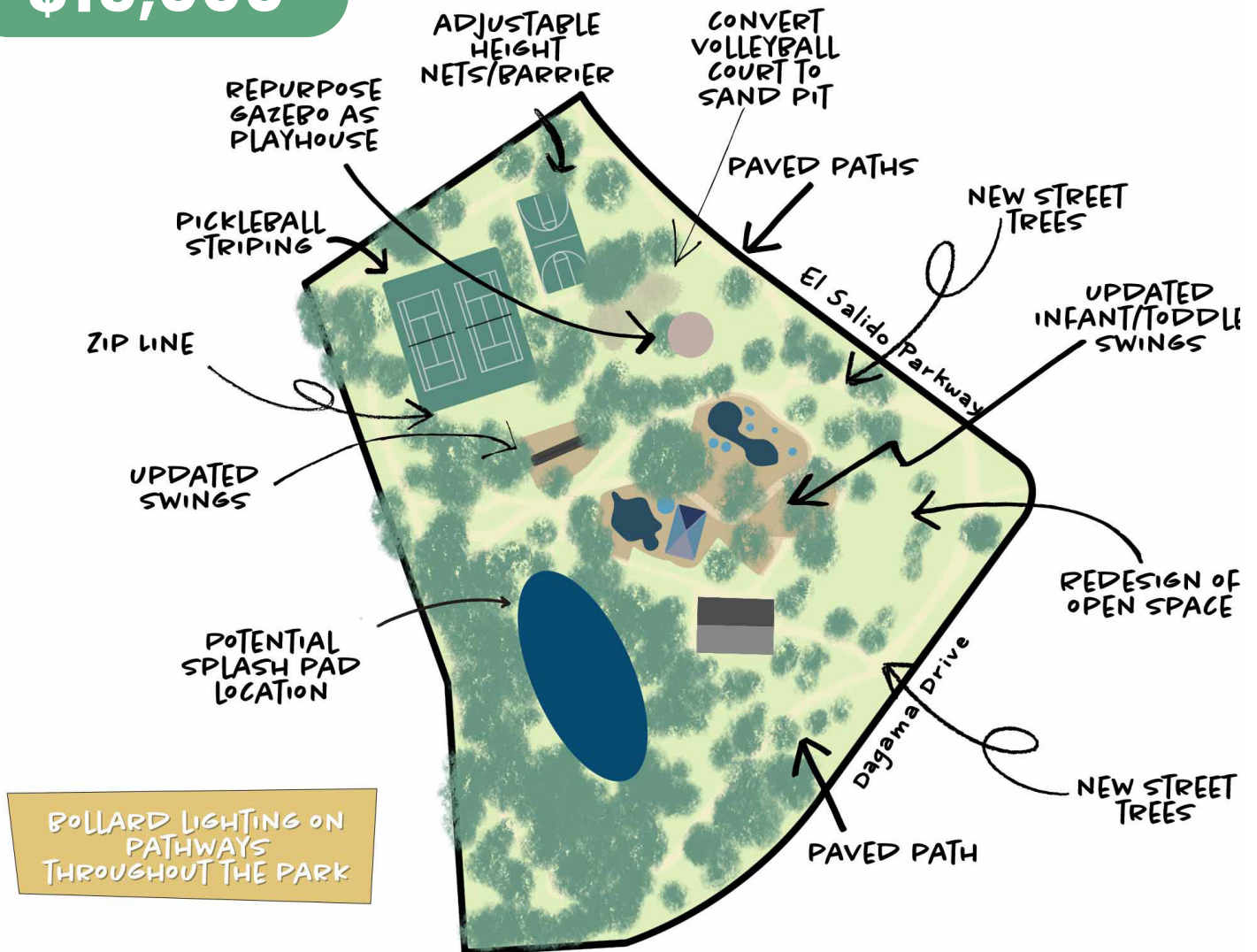
Anderson Mill West Park Exhibit

As a part of this planning process, a detailed exhibit for Anderson Mill West park was requested to show how implementation actions could be implemented in this park. The exhibit below includes many items from the implementation matrix, and highlights the possible placement of a 25 ft splash pad. When the engineering study and feasibility report to put a community pool in Anderson Mill West Park proved infeasible, the planning

team and District Board decided to explore the possibility of a splash pad. Using this previous engineering study, a splash pad in Anderson Mill West Park would be best placed amongst the trees adjacent to the existing service house that has water fountains and restrooms. Water service and topography suit this placement, while foliage and possible cleanliness from fallen leaves stands out as the most pressing barrier.

A quote for installation of a 25ft diameter splash pad came out to be

\$15,000






RAINDECK
SPLASH PAD PRODUCT & DESIGN



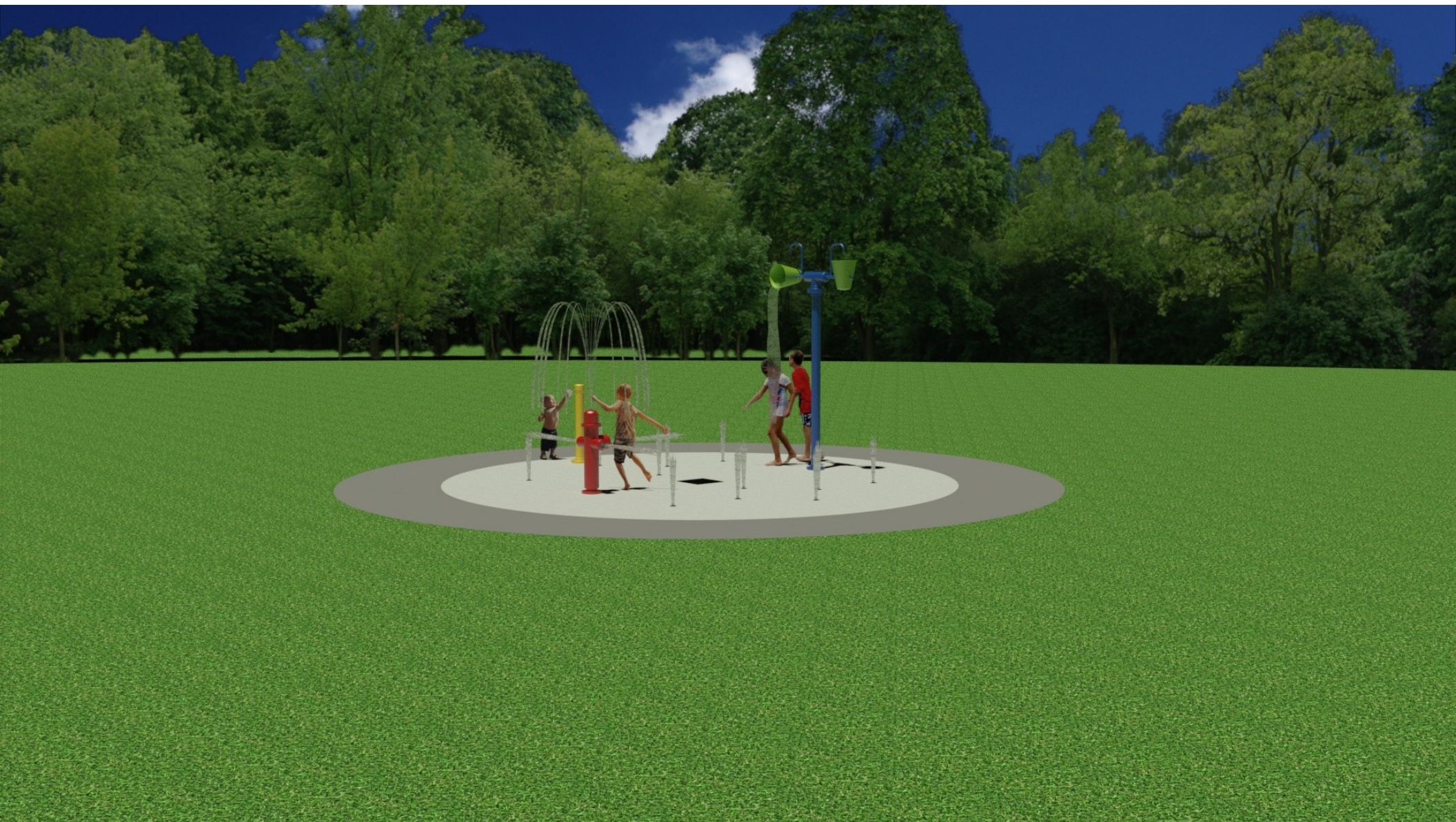
888-445-RAIN



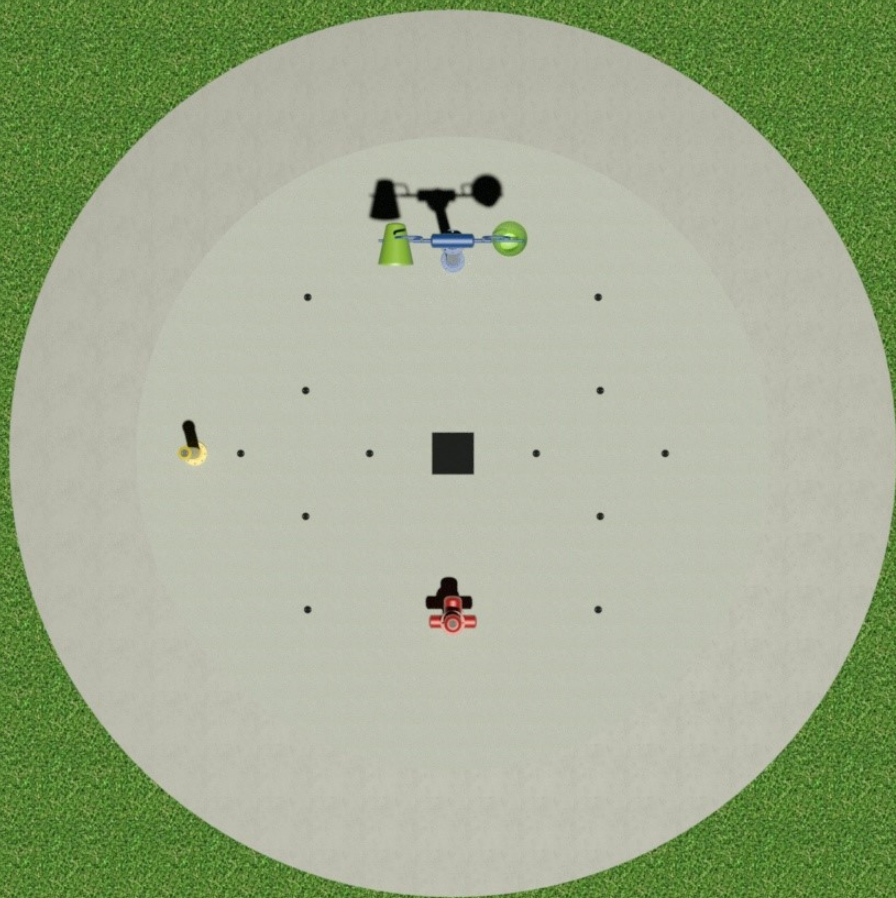
info@RainDeck.com



www.RainDeck.com







PRODUCT	COST	QTY	TOTAL
LIGHT COMMERCIAL FEATURES			
RD313-0 Rain Deck Dumping Bucket 2 w/ Footing Base (RD313-0)	\$1,893.00	× 1	\$1,893.00
RD307-0 Rain Deck Fire Hydrant Soaker w/ Footing Base (RD307-0)	\$1,336.00	× 1	\$1,336.00
GROUND SPRAYS			
RD100-0 Rain Deck 3" Nozzle Tool (RD100-0)	\$21.00	× 1	\$21.00
RD102-0 Rain Deck 3" Universal Housing (RD102-0)	\$36.00	× 12	\$432.00



RD103-0 Rain Deck 3" Adjustable Nozzle (RD103-0)	\$37.00	× 6	\$222.00
RD104-0 Rain Deck 3" Shower Nozzle (RD104-0)	\$35.00	× 2	\$70.00
RD105-0 Rain Deck 3" Bubbler Nozzle (RD105-0)	\$34.00	× 2	\$68.00
RD114-0 Rain Deck 3" Rooster Tail Nozzle (RD114-0)	\$35.00	× 2	\$70.00
ACTIVATORS / TIMERS			
RD550-0 Rain Deck Sof-Touch™ Activator w/ Footing Base - Post Mounted (RD550-0)	\$860.00	× 1	\$860.00
RD550-1 Rain Deck Sof-Touch™ Electronic Timer Box (RD550-1)	\$682.00	× 1	\$682.00
CONTROLLERS / MANIFOLDS			
RD500-0 Rain Deck 8 Zone Multi-Program Electronic Controller (RD500-0)	\$1,401.00	× 1	\$1,401.00
RD511-0 Project Specific Splash Pad Manifold (RD511-0) 2" Pipe: w/ (6) 3/4" solenoids and (2) 1.5" ball valves	\$722.00	× 1	\$722.00
HOLDING TANKS / RAIN DIVERTER			
RD702-0 Rain Deck 600 Gallon Holding Tank (RD702-0)	\$1,808.00	× 1	\$1,808.00
RD426-0 Rain Deck 2" Bulk-Head Fitting (RD426-0)	\$20.00	× 4	\$80.00
PUMPS / FILTERS			



RD623-0 1 HP Pentair Whisper Flo Pump (RD623-0) Dedicated: Recirc and Feature Pumps	\$814.00	× 2	\$1,628.00
RD619-0 320 Sq. Ft. Pentair Clean & Clear Cartridge Filter (RD619-0)	\$940.00	× 1	\$940.00
SANITATION / VALVES / FITTINGS / DRAINS & MORE			
RD414-0 1-1/2" Jandy Check Valve (RD414-0)	\$67.00	× 2	\$134.00
RD413-0 Hayward 3-Way PVC 1-1/2" Diverter Valve (RD413-0)	\$80.00	× 1	\$80.00
RD428-0 16" x 16" Box Drain - 4" or 6" PVC Connection (RD428-0)	\$143.00	× 1	\$143.00
RD428-1 16" x 16" Box Drain Strainer Basket (RD428-1)	\$63.00	× 1	\$63.00
RD429-0 Rainbow 320 In-Line Chlorinator (RD429-0)	\$128.00	× 1	\$128.00
PLANS / PURCHASE WITH CONFIDENCE / OTHER			
RD600-0 Splash Pad Layout Plan Set (No Engineering)	\$550.00	× 1	\$550.00
ORDER SUBTOTAL:			\$13,331.00
- SHIPPING:			\$1,611.21
ORDER TOTAL:			\$14,942.21

GPM's: MIN 52 / TYP 76.4



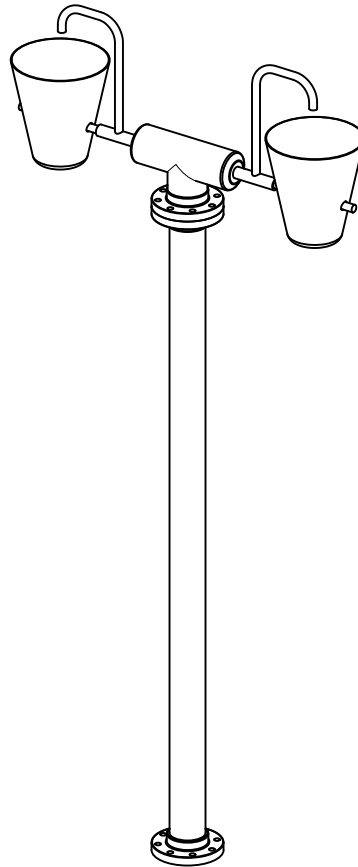
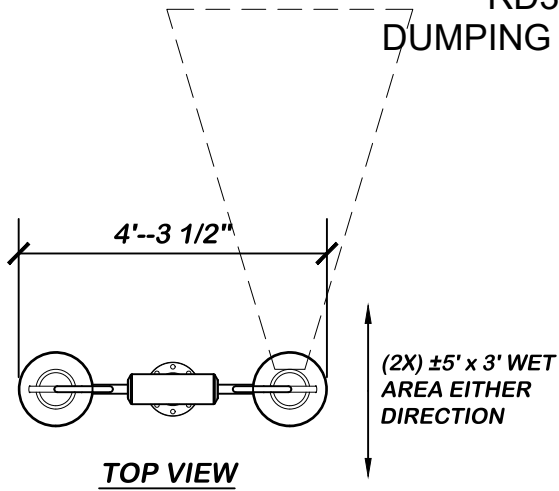
Recirculating System: Although this splash pad is designed with a recirculation system, the splash pad will still have some water loss based on a number of factors including evaporation, carry-off, wind, user load, backwashing etc.

Anderson Mill West Park – Cedar Park, TX

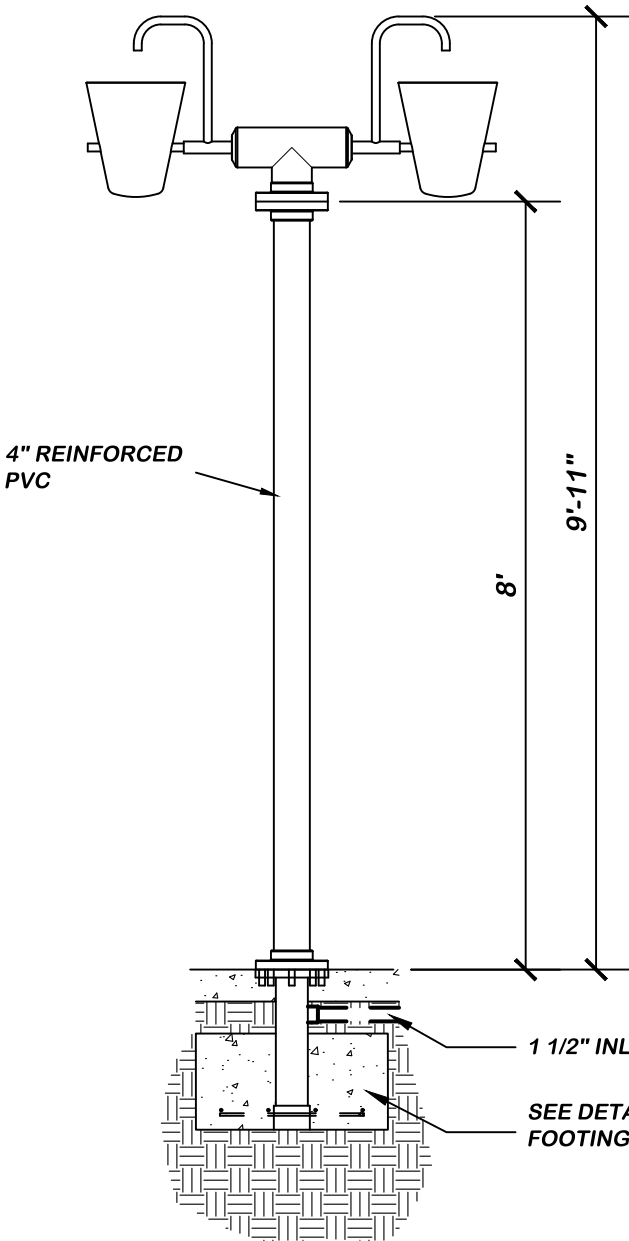
25' Diameter (Approx 490 Sq Ft)
Light Commercial Recirculating Splash Pad



RD313-0
DUMPING BUCKET 2



SCALE
N.T.S.



SPECIFICATIONS:

- **MATERIALS:** PVC, ALUMINUM & FIBERGLASS
- **SURFACE FINISH:** UV RESISTANT AUTOMOTIVE PAINT
- **WATER PRESSURE:** 3 - 5 PSI
- **WATER CONSUMPTION:** 10-15 GPM

DUMPING BUCKET 2
RD313-0

SCALE
1/2"=1'-0"

RAINDECK
Ph. 888.445.4454
Fax. 866.869.3942
info@raindeck.com

THIS DRAWING IS AN INSTRUMENT OF SERVICE AND THE PROPERTY OF RAINDECK. IT IS TO BE USED ONLY FOR THE PROJECT AND SITE SPECIFICALLY IDENTIFIED HEREIN. IT IS NOT TO BE REPRODUCED, COPIED, REPRODUCED OR TRANSMITTED IN ANY FORM OR BY ANY MEANS, ELECTRONIC OR MECHANICAL, INCLUDING PHOTOCOPYING, RECORDING, OR BY ANY INFORMATION STORAGE AND RETRIEVAL SYSTEM, WITHOUT THE WRITTEN PERMISSION OF RAINDECK. WHERE A CONTRACTOR'S NAME APPEARS ON THIS DRAWING, IT IS THE PROPERTY OF THAT CONTRACTOR AND NOT THE PROPERTY OF RAINDECK. RAINDECK IS NOT RESPONSIBLE FOR ANY DAMAGE TO PROPERTY OR PERSONS CAUSED BY THE USE OF THIS DRAWING BY ANY CONTRACTOR EXCEPT BY AGREEMENT WITH SAME CONTRACTOR.

REV.	DATE	BY	DESCRIPTION
△			
△			
△			
△			
△			

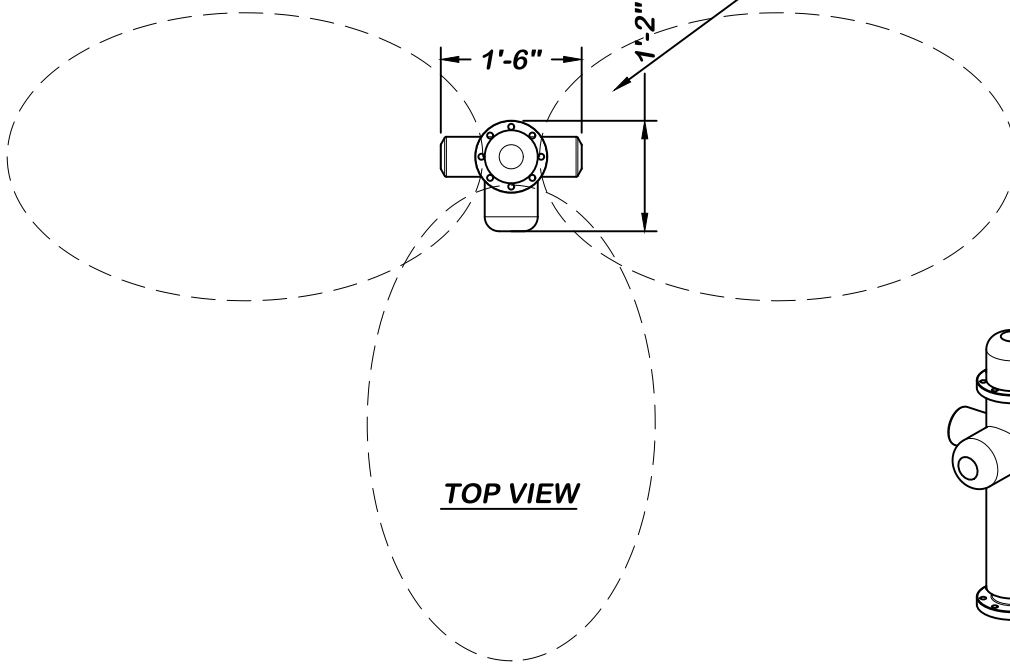
RAIN DECK
DUMPING BUCKET 2

SEAL

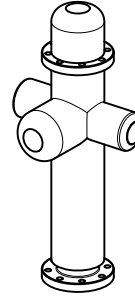
DATE

DRAWN BY	RS	REVIEWED BY	RV
DATE	MAY 2017		
SHEET			
MFR#	RD313-0		

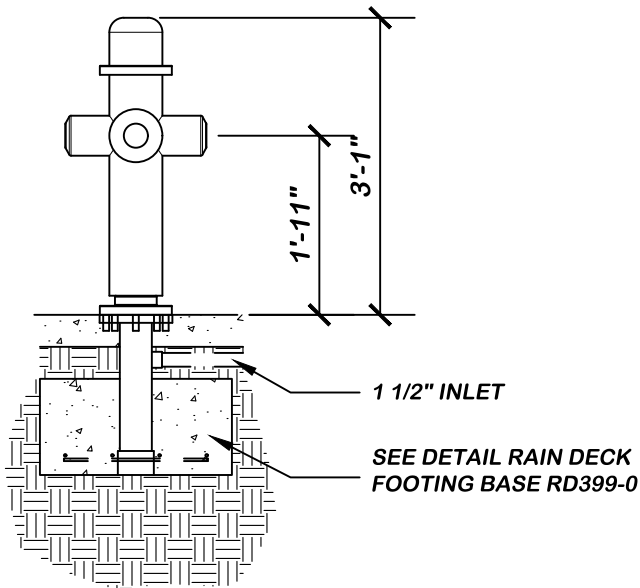
RD307-0
FIRE HYDRANT SOAKER
 14' x 9' OVERALL WET ZONE



TOP VIEW



SCALE
N.T.S.



FRONT VIEW

SPECIFICATIONS:

- **MATERIALS: PVC**
- **SURFACE FINISH: UV RESISTANT AUTOMOTIVE PAINT**
- **WATER PRESSURE: MIN. 5 PSI**
- **WATER CONSUMPTION: 20-40 GPM**

FIRE HYDRANT SOAKER
RD307-0

RAINDECK
 Ph. 888.445.RAIN
 Fax. 866.869.3942
 info@raindeck.com

THIS DRAWING IS AN INSTRUMENT OF SERVICE AND THE PROPERTY OF RAINDECK. IT IS TO BE USED ONLY FOR THE PROJECT AND SITE SPECIFICALLY IDENTIFIED HEREIN. IT IS NOT TO BE REPRODUCED, COPIED, REPRODUCED OR TRANSMITTED IN ANY FORM OR BY ANY MEANS, ELECTRONIC OR MECHANICAL, INCLUDING PHOTOCOPYING, RECORDING, OR BY ANY INFORMATION STORAGE AND RETRIEVAL SYSTEM, WITHOUT THE WRITTEN PERMISSION OF RAINDECK. RAINDECK SHALL BE RESPONSIBLE FOR THE ACCURACY OF THIS DRAWING. RAINDECK SHALL NOT BE LIABLE FOR ANY DAMAGE, LOSS OF PROFITS, OR OTHER CONSEQUENCES, INCLUDING REASONABLE ATTORNEY'S FEES, ARISING FROM THE USE OF THIS DRAWING, WHETHER OR NOT SUCH DAMAGE, LOSS OF PROFITS, OR OTHER CONSEQUENCES COULD HAVE BEEN PREVENTED BY THE EXERCISE OF REASONABLE CARE. RAINDECK SHALL BE RESPONSIBLE FOR THE ACCURACY OF THIS DRAWING. RAINDECK SHALL NOT BE LIABLE FOR ANY DAMAGE, LOSS OF PROFITS, OR OTHER CONSEQUENCES, INCLUDING REASONABLE ATTORNEY'S FEES, ARISING FROM THE USE OF THIS DRAWING, WHETHER OR NOT SUCH DAMAGE, LOSS OF PROFITS, OR OTHER CONSEQUENCES COULD HAVE BEEN PREVENTED BY THE EXERCISE OF REASONABLE CARE.

REV.	DATE	BY	DESCRIPTION
△			
△			
△			
△			
△			

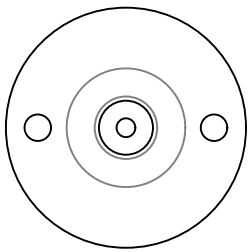
RAIN DECK
FIRE HYDRANT SOAKER

SEAL

DATE

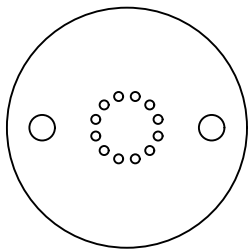
DRAWN BY	RS	REVIEWED BY	RV
DATE	MAY 2017		
SHEET			
MFR#	RD307-0		

SCALE
1/2"=1'-0"



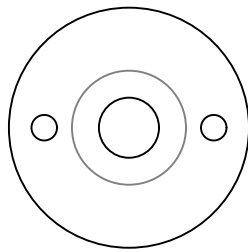
ADJUSTABLE NOZZLE
RD103-0

- WATER PRESSURE: 3 - 5 PSI
- WATER CONSUMPTION: 1.5 GPM TYP (1.0 MIN / 2.0 MAX)
- EFFECTIVE RANGE: MAX 10' DIRECTIONAL



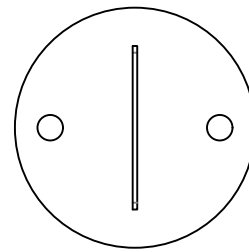
SHOWER NOZZLE
RD104-0

- WATER PRESSURE: 3 - 5 PSI
- WATER CONSUMPTION: 4.5 GPM TYP (3.5 MIN / 5.0 MAX)
- EFFECTIVE RANGE: MAX 10' DIAMETER



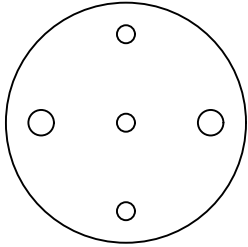
BUBBLER NOZZLE
RD105-0

- WATER PRESSURE: 3 - 5 PSI
- WATER CONSUMPTION: 3.2 GPM TYP (2.5 MIN / 6.0 MAX)
- EFFECTIVE RANGE: MAX 6' DIAMETER



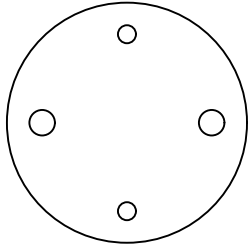
FAN NOZZLE
RD106-0

- WATER PRESSURE: 3 - 5 PSI
- WATER CONSUMPTION: 3.2 GPM TYP (2.5 MIN / 6.0 MAX)
- EFFECTIVE RANGE: MAX 12' LONG x 6' WIDE



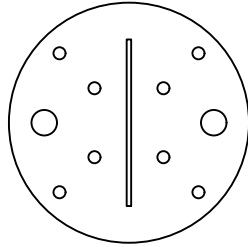
TRIPLE SHOOTER NOZZLE
RD110-0

- WATER PRESSURE: 3 - 5 PSI
- WATER CONSUMPTION: 5.0 GPM TYP (4.5 MIN / 6.0 MAX)
- EFFECTIVE RANGE: MAX 8' DIAMETER



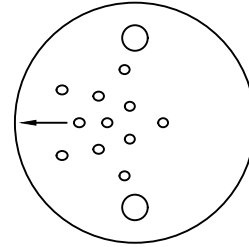
DUEL NOZZLE
RD112-0

- WATER PRESSURE: 3 - 5 PSI
- WATER CONSUMPTION: 3.5 GPM TYP (2.5 MIN / 5.5 MAX)
- EFFECTIVE RANGE: MAX 8' DIAMETER



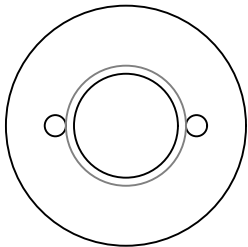
"X" FACTOR NOZZLE
RD113-0

- WATER PRESSURE: 3 - 5 PSI
- WATER CONSUMPTION: 6.5 GPM TYP (5.5 MIN / 7.5 MAX)
- EFFECTIVE RANGE: MAX 8' DIAMETER



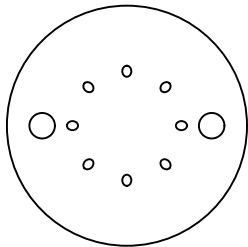
ROOSTER TAIL NOZZLE
RD114-0

- WATER PRESSURE: 3 - 5 PSI
- WATER CONSUMPTION: 5.0 GPM TYP (3.0 MIN / 7.0 MAX)
- EFFECTIVE RANGE: MAX 14' LONG x 6' WIDE



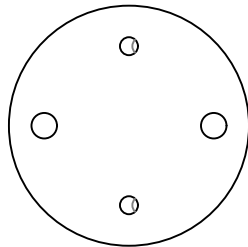
TULIP NOZZLE
RD115-0

- WATER PRESSURE: 3 - 5 PSI
- WATER CONSUMPTION: 8.0 GPM TYP (6.5 MIN / 12.0 MAX)
- EFFECTIVE RANGE: MAX. 8' DIAMETER



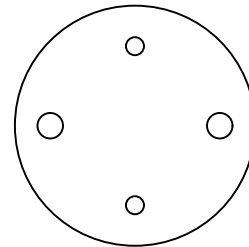
SPIDER NOZZLE
RD116-0

- WATER PRESSURE: 3 - 5 PSI
- WATER CONSUMPTION: 4.6 GPM TYP (2.5 MIN / 7.0 MAX)
- EFFECTIVE RANGE: MAX 10' DIAMETER



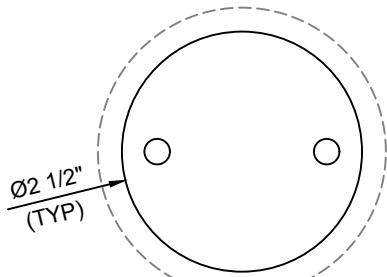
VIPER NOZZLE
RD117-0

- WATER PRESSURE: 3 - 5 PSI
- WATER CONSUMPTION: 3.5 GPM TYP (2.5 MIN / 5.5 MAX)
- EFFECTIVE RANGE: MAX 8' LONG x 6' WIDE

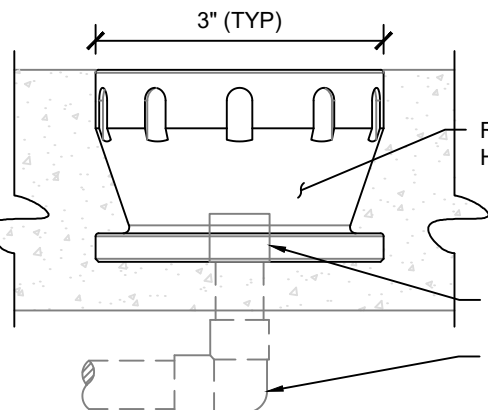


SPLITTER NOZZLE
RD118-0

- WATER PRESSURE: 3 - 5 PSI
- WATER CONSUMPTION: 3.5 GPM TYP (2.5 MIN / 5.5 MAX)
- EFFECTIVE RANGE: MAX 8' LONG x 6' WIDE



TOP VIEW

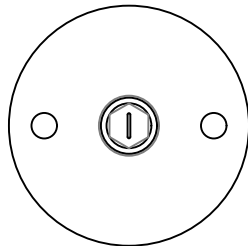


FRONT VIEW

RAIN DECK HOUSING RD102-0
HOUSING MATERIALS:
UHMW, UPVC, ALUMINUM,
BRASS, OR STAINLESS
STEEL

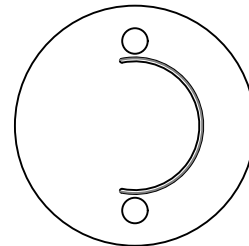
1/2" INLET (TYP)

MIN. 1/2" WATER
SUPPLY (TYP)



MISTY NOZZLE
RD119-0

- WATER PRESSURE: 3 - 5 PSI
- WATER CONSUMPTION: 0.6 GPM TYP (0.3 MIN / 1.0 MAX)
- EFFECTIVE RANGE: MAX 10' DIAMETER



WAVE NOZZLE
RD120-0

- WATER PRESSURE: 3 - 5 PSI
- WATER CONSUMPTION: 4.0 GPM TYP (4.3 MIN / 6.5 MAX)
- EFFECTIVE RANGE: MAX 8' x 5' x 2'

NOZZLE SPECIFICATIONS:

- MATERIALS: DELRIN, ALUMINUM, BRASS, OR STAINLESS STEEL
- SS AND BRASS: 1" THREADED INLET
- WATER PRESSURE: AS NOTED
- WATER CONSUMPTION: AS NOTED
- EFFECTIVE RANGE: AS NOTED



THIS DRAWING IS AN INSTRUMENT OF SERVICE FOR THE CLIENT'S USE ONLY. THE CLIENT'S USE OF THIS DRAWING AND ALL REPRODUCTIONS SHALL BE RESTRICTED TO THE ORIGINAL SITE FOR WHICH IT WAS PREPARED AND SHALL NOT BE USED FOR ANY OTHER PROJECT WITHOUT THE APPROVED PUBLICATION OF THIS DRAWING BY ANY METHOD IN WHOLE OR IN PART. IT IS THE CLIENT'S RESPONSIBILITY TO OBTAIN ALL NECESSARY PERMITS AND APPROVALS FROM ALL APPLICABLE AGENCIES AND AUTHORITIES. THE CLIENT'S NAME SHALL BE PRINTED ON THIS DRAWING. WORK SHALL BE COMPLETED BY SAID CONTRACTOR EXCEPT BY AGREEMENT WITH SAID CONTRACTOR.

REV.	DATE	BY	DESCRIPTION

RAINDECK
RD102-0 HOUSING AND NOZZLES

SEAL
DATE

DRAWN BY	REVIEWED BY
AJM	LB
DATE	02-26-2020
RD102-0	
SCALE	1/2" = 1'-0

RD550-0 SOF-TOUCH ACTIVATOR POST

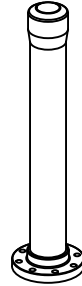


Ph. 888.445.4455
Fax. 866.869.3942
info@raindeck.com

THIS DRAWING IS AN INSTRUMENT OF SERVICE AND THE PROPERTY OF RAINDECK. IT IS TO BE USED ONLY FOR THE PROJECT AND SITE SPECIFICALLY IDENTIFIED HEREIN. IT IS NOT TO BE REPRODUCED OR COPIED IN ANY MANNER WITHOUT THE WRITTEN PERMISSION OF RAINDECK. ANY REPRODUCTION OR USE OF THIS DRAWING WITHOUT THE WRITTEN PERMISSION OF RAINDECK SHALL BE AT THE USER'S SOLE RISK AND WITHOUT LIABILITY TO RAINDECK. RAINDECK SHALL NOT BE RESPONSIBLE FOR ANY ERRORS OR OMISSIONS IN THIS DRAWING. RAINDECK SHALL NOT BE RESPONSIBLE FOR ANY DAMAGE TO PERSONS OR PROPERTY ARISING FROM THE USE OF THIS DRAWING. RAINDECK SHALL NOT BE RESPONSIBLE FOR ANY CONSEQUENCES OF ANY ACTION OR INACTION TAKEN BY ANY CONTRACTOR OR OTHER PARTY BASED ON THIS DRAWING. RAINDECK SHALL NOT BE RESPONSIBLE FOR ANY COSTS INCURRED BY ANY CONTRACTOR OR OTHER PARTY IN CONNECTION WITH THIS DRAWING. RAINDECK SHALL NOT BE RESPONSIBLE FOR ANY DELAYS OR DISRUPTIONS TO ANY PROJECT CAUSED BY THIS DRAWING. RAINDECK SHALL NOT BE RESPONSIBLE FOR ANY OTHER MATTER ARISING OUT OF OR IN CONNECTION WITH THIS DRAWING.



TOP VIEW



SCALE
N.T.S.

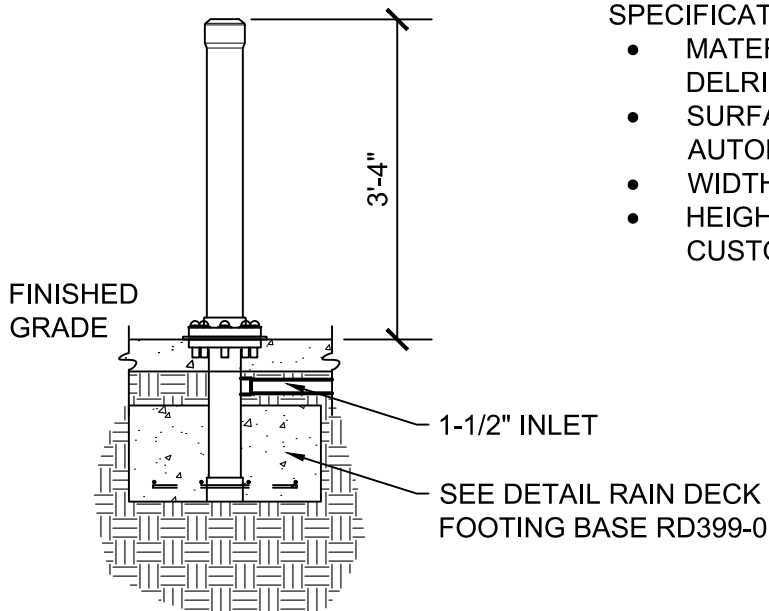
REV.	DATE	BY	DESCRIPTION
△			
△			
△			
△			
△			

INCLUDES:

- SOF-TOUCH POST MOUNTED ACTIVATOR
- PROXIMITY SENSOR
- RAIN DECK FOOTING BASE w/ CAP
- STAINLESS STEEL BOLTS AND GASKET

SPECIFICATIONS:

- MATERIAL: RE-ENFORCED SCH 40 PVC w/ DELRIN ACTIVATOR
- SURFACE FINISH: UV RESISTANT AUTOMOTIVE PAINT
- WIDTH: 4" O.D. SCH 40 PIPE
- HEIGHT: 40" (FROM FINISHED GRADE - CUSTOM SIZES AVAILABLE)



FRONT VIEW

SCALE
1/2"=1'-0"

SOF-TOUCH ACTIVATOR
RD550-0

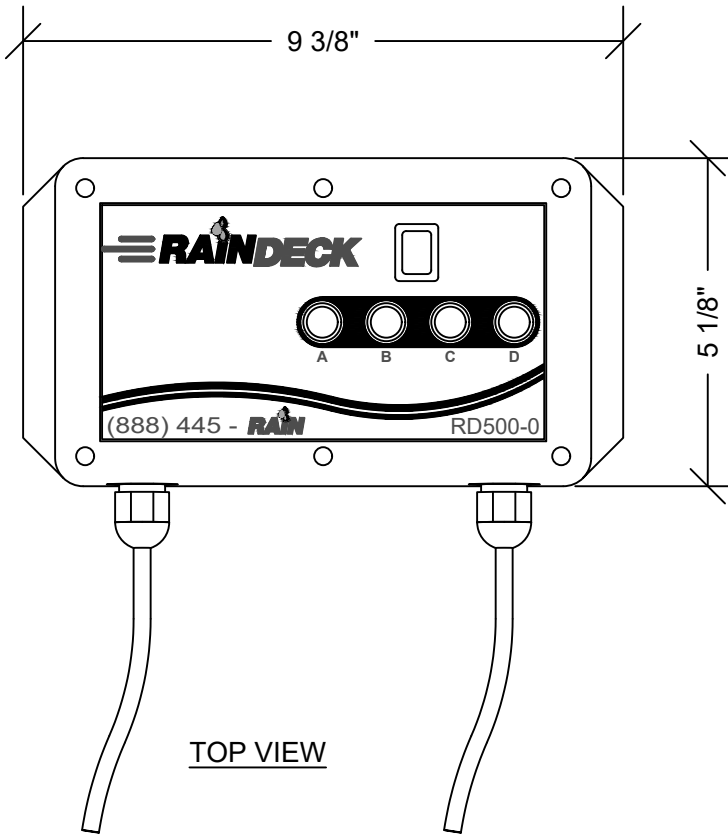
RAIN DECK
SOF-TOUCH ACTIVATOR
POST

SEAL

DATE

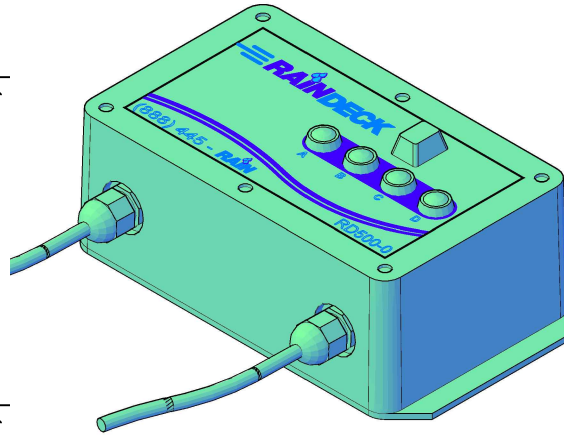
DRAWN BY RS	REVIEWED BY RV
DATE JULY 2015	
SHEET	
MFR# RD550-0	

RD500-0
RAIN DECK CONTROLLER



TOP VIEW

SCALE
N.T.S.



THE RAIN DECK PROPRIETARY ELECTRONIC CONTROLLER SETS THE INDUSTRY STANDARD FOR SPLASH PAD CONTROL SYSTEMS. THE RAIN DECK CONTROLLER PROVIDES THE USER WITH 4 PROGRAM SELECTIONS AND THE ABILITY TO USE WITH A FRESH WATER OR RECIRCULATION SYSTEM. THE CONTROLLER IS POWERED BY A STANDARD 100V POWER SUPPLY WITH CONNECTIONS FOR STANDARD 24VAC SOLENOID VALVES.

PROGRAMS:

- A. ONE ZONE RANDOM
- B. ONE ZONE SEQUENTIAL
- C. MULTIPLE ZONE RANDOM
- D. ALL ON

*NUMBER OF ZONES AND SPEED CYCLES CAN BE ADJUSTED ON-SITE. FOR ANY OTHER PROGRAMING QUESTIONS, PLEASE CONTACT RAIN DECK.

RAIN DECK CONTROLLER
RD500-0

RAINDECK
Ph. 888.445.RAIN
Fax. 866.869.3942
info@raindeck.com

THIS DRAWING IS AN INSTRUMENT OF SERVICE AND THE PROPERTY OF RAIN DECK. IT IS TO BE RESTRICTED TO THE ORIGINAL SITE FOR THE PROJECT AND NOT BE USED UNLESS PROPERLY SEALED AND APPROVED. PUBLICATION OF THIS DRAWING BY ANY METHOD IN WHOLE OR IN PART WITHOUT THE WRITTEN PERMISSION OF RAIN DECK WHERE A CONTRACTOR'S NAME APPEARS ON THIS DRAWING IS STRICTLY PROHIBITED BY SAME CONTRACTOR EXCEPT BY AGREEMENT WITH SAME CONTRACTOR.

REV.	DATE	BY	DESCRIPTION
△			
△			
△			
△			
△			

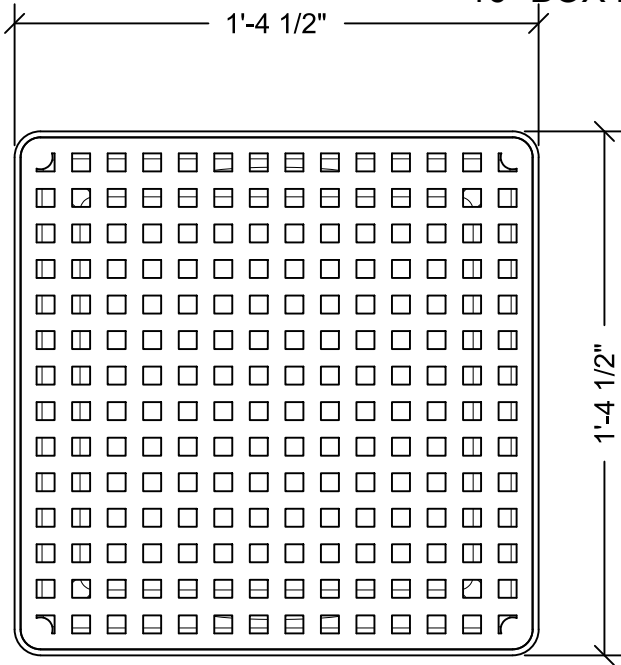
RAIN DECK
RAIN DECK CONTROLLER

SEAL

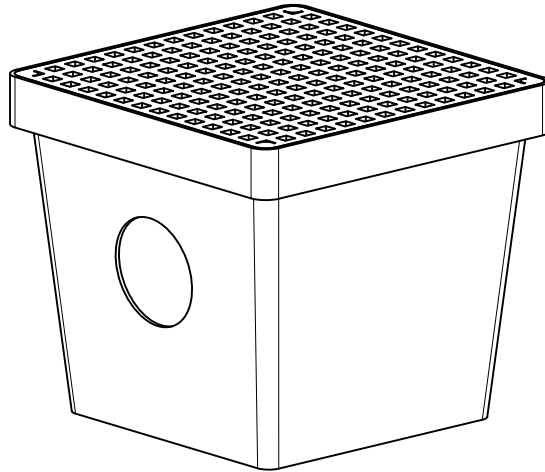
DATE

DRAWN BY	RS	REVIEWED BY	RV
DATE	MARCH 2014		
SHEET			
MFR#	RD500-0		

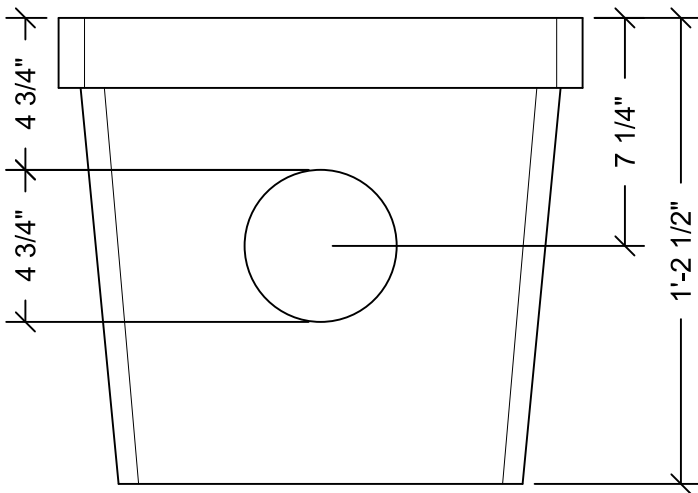
RD428-0
16" BOX DRAIN



TOP VIEW



SCALE
N.T.S.



FRONT VIEW

SPECIFICATIONS:

- MATERIALS: MOLDED HIGH-DENSITY POLYETHYLENE
- ADA COMPLIANT
- AVAILABLE WITH 2, 3, OR 4-HOLE DRAIN SUMP

16" BOX DRAIN

RAINDECK
Ph. 888.445.RAIN
Fax. 866.869.3942
info@raindeck.com

THIS DRAWING IS AN INSTRUMENT OF SERVICE AND THE PROPERTY OF RAINDECK. IT IS TO BE USED ONLY FOR THE PROJECT AND SITE SPECIFICALLY IDENTIFIED HEREIN. IT IS NOT TO BE REPRODUCED, COPIED, OR REPRODUCED IN ANY MANNER WITHOUT THE WRITTEN PERMISSION OF RAINDECK. RAINDECK SHALL NOT BE LIABLE FOR ANY DAMAGES, INCLUDING CONSEQUENTIAL DAMAGES, ARISING FROM THE USE OF THIS DRAWING BY ANY METHOD IN WHOLE OR IN PART. CONTRACTOR'S NAME APPEARS ON THIS DRAWING AS A RESULT OF THE CONTRACTOR'S AGREEMENT WITH RAINDECK. CONTRACTOR'S NAME APPEARS ON THIS DRAWING AS A RESULT OF THE CONTRACTOR'S AGREEMENT WITH RAINDECK.

REV.	DATE	BY	DESCRIPTION
△			
△			
△			
△			
△			

RAIN DECK
16" BOX DRAIN

SEAL

DATE

DRAWN BY RS	REVIEWED BY RV
DATE APRIL 2014	
SHEET	
MFR# RD428-0	

Our warranty starts with our unmatched customer support. If, at any stage of your splash pad project you need support, we can help!

From installation, to winterizing, to spring start-up we offer the support you need. There is never any additional charge for any of our support services for any of our clients. **Unless otherwise stated below, Rain Deck shall warrant all products for a period of one year from the date of product shipment.**

WARRANTY

25 YEAR WARRANTY on all commercial stainless steel above ground feature pipes and welds.

25 YEAR WARRANTY on all stainless-steel footing base tubing and welds.

2 YEAR WARRANTY against peeling or fading on all finish coatings.

LIFETIME WARRANTY on all Rain Deck UHMW, PVC or Delrin spray jet housings and nozzles.

5 YEAR WARRANTY on all brass, stainless steel and aluminum housings and nozzles.

5 YEAR WARRANTY on all tanks and cisterns.

Rubber surfacing granules and binder carry a warranty on the product only. If there is a defect with the rubber granules or binder within one year of receiving the product, please contact Rain Deck. Rain Deck does NOT warranty the installation of the rubber surfacing and extends NO warranty after the rubber granules have been mixed with the binder.

On all powder coated or painted features, Rain Deck, at its discretion has the option of sending touch-up paint in lieu of replacing the feature.

Although our products should last far beyond their warranty period, should you have any warranty issues, please contact Rain Deck by calling 888- 445-RAIN, faxing 866 -869-3942 or emailing warranty@raindeck.com.

